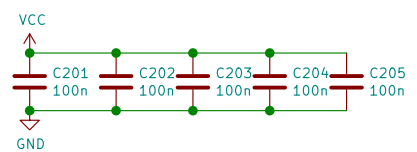
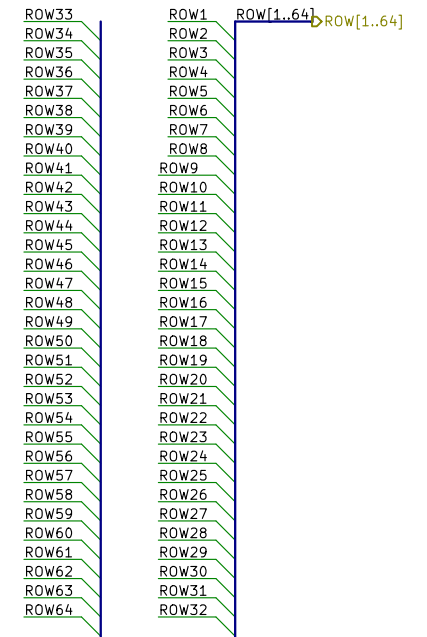
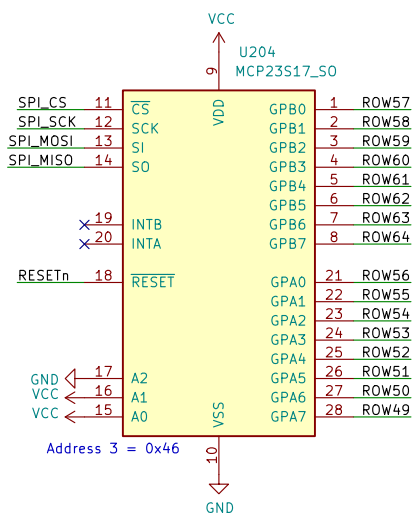
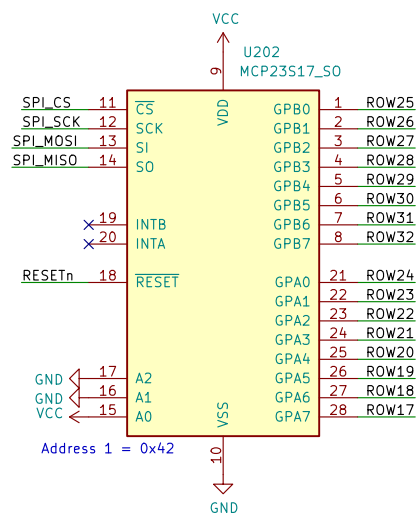
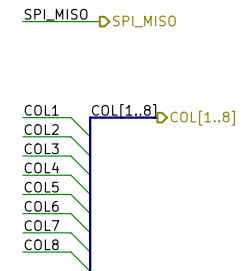
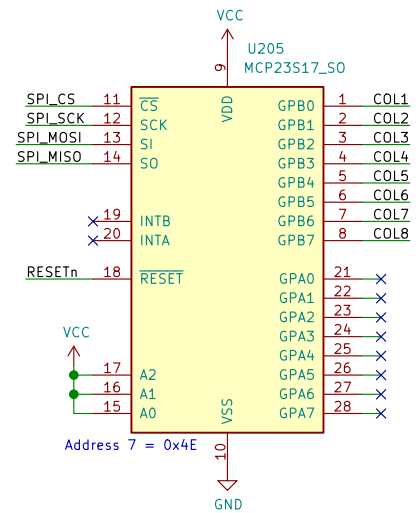
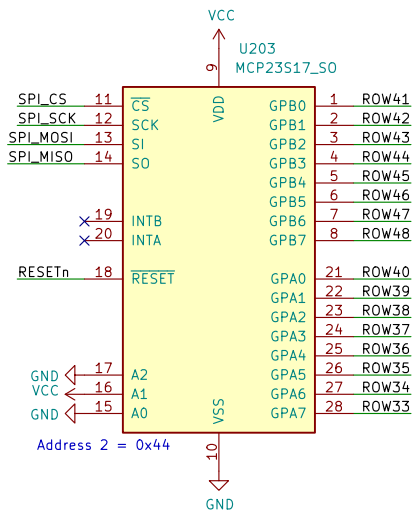
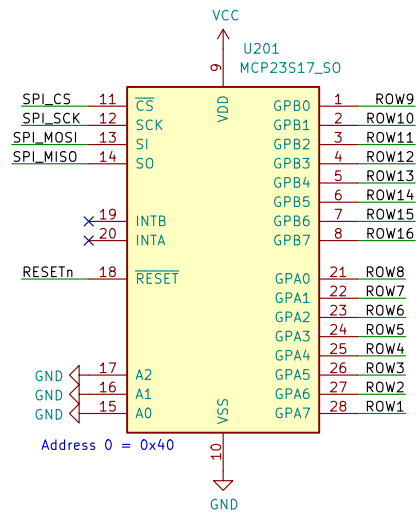
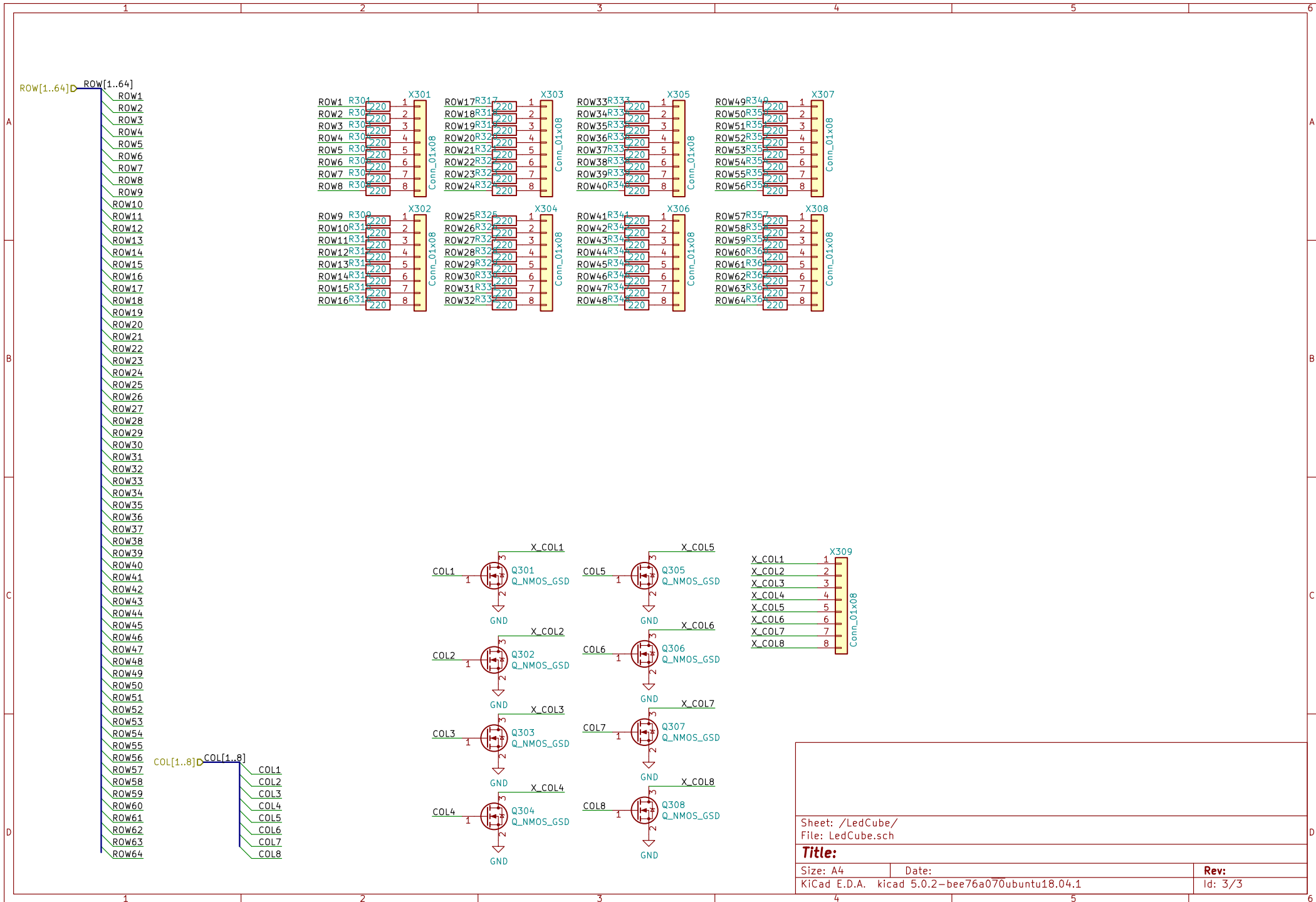


Sheet: /		
File: LightCube8x8x8_mcp23s17.sch		
Title:		
Size: A4	Date:	Rev:
KiCad E.D.A. kicad 5.0.2-bee76a070ubuntu18.04.1		Id: 1/3

RESETEnD RESETEn
 SPL_CSD SPI_CS
 SPL_SCKD SPI_SCK
 SPL_MOSID SPI_MOSI



Sheet: /LedDecoders/
 File: LedDecoders.sch
Title:
 Size: A4 Date:
 KiCad E.D.A. kicad 5.0.2-[bee76a070ubuntu18.04.1](https://github.com/bee76a070ubuntu18.04.1) Rev:
 Id: 2/3



Sheet: /LedCube/
 File: LedCube.sch

Title:

Size: A4 Date:
 KiCad E.D.A. kicad 5.0.2- bbe76a070ubuntu18.04.1

Rev:
 Id: 3/3