

ROW[1..64]

ROW[1..64]

COL[1..8]

COL[1..8]

SPI_MISO

SPI_MISO ✕

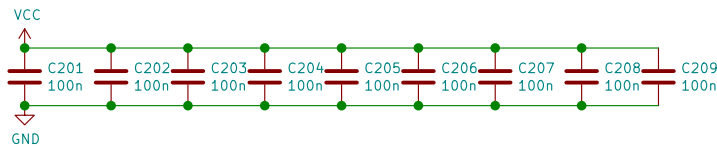
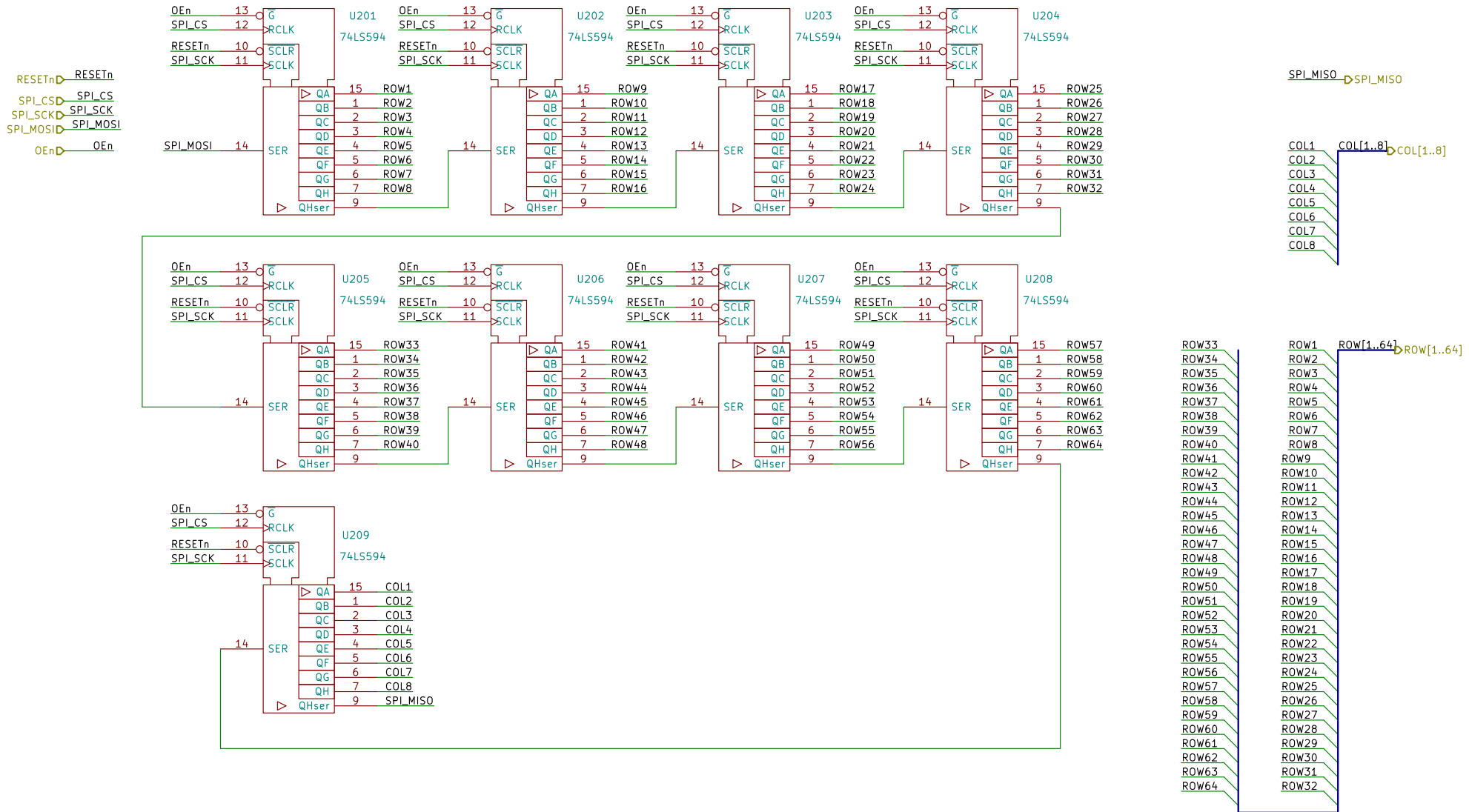


Sheet: /
File: LightCube8x8x8.sch

Title:

Size: A4 | Date:

KiCad E.D.A. kicad 5.0.2-[bee76a070ubuntu18.04.1](#) | **Rev:** Id: 1/3

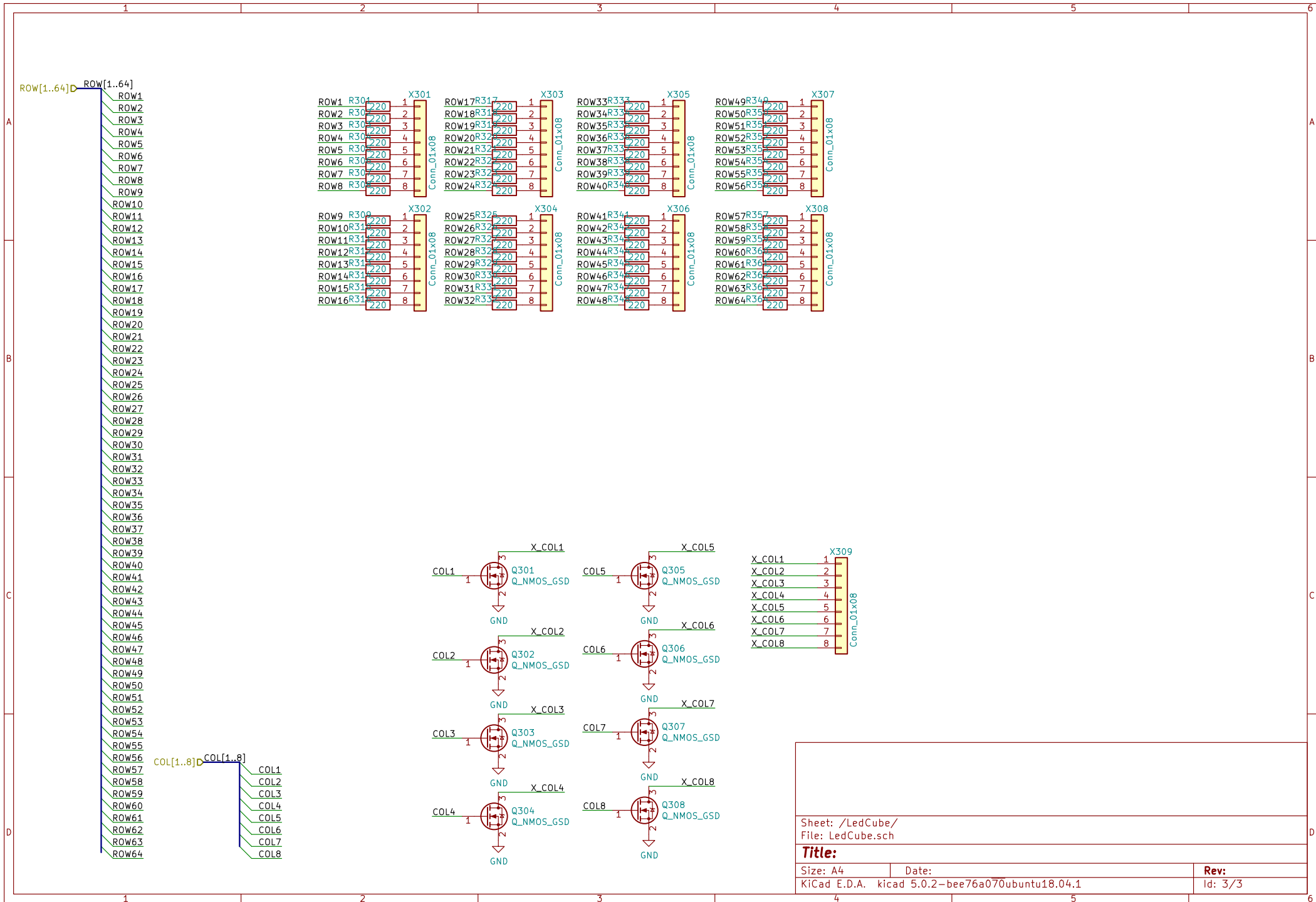


Sheet: /LedDecoders/
File: LedDecoders.sch

Title:

Size: A4 Date:
KiCad E.D.A. kicad 5.0.2-
bee76a070ubuntu18.04.1

Rev:
Id: 2/3



Sheet: /LedCube/		Date:	
File: LedCube.sch		Rev:	
Size: A4	KiCad E.D.A.	kiCad 5.0.2- bee76a070ubuntu18.04.1	Id: 3/3